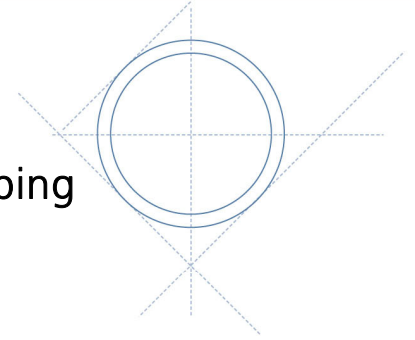


EMCO Venturi Nozzle with Single Pressure Tapping Series VES with Weld End Connections

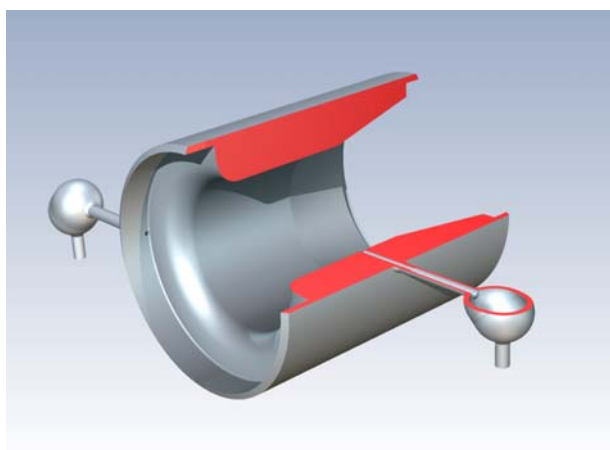


Principle

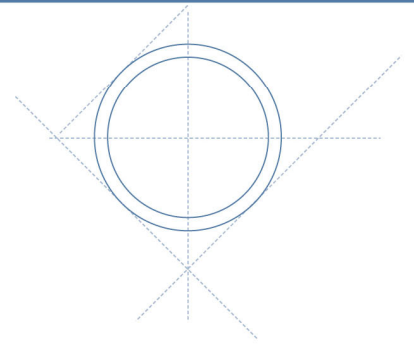
EMCO venturi nozzles are used as primary elements in flow measurement of steam, liquid, and gas according to the differential pressure principle.

Construction

Design and calculation standards	: ISO 5167-3, DIN 19215
Sizes	: DN 65 – 500
Pressure rating	: PN 10 - 640, 150 - 2500 lbs
Bore (d)	: $d > 50$ mm
β (d/D)	: $0,316 < \beta < 0,775$
Material	: Carbon steel P250GH, AISI 316, heat-resisting steels: 16Mo3, 13CrMo4-5, 10CrMo9-10, WB 36, X20CrMoV121, F91, F92, other materials on request
Mounting style	: Weld ends according to DIN 2559 or ANSI B16.25 or flange connection according to DIN or ANSI
Pressure taps	: \varnothing 21.3 mm, 24 mm, 26.9 mm, 3/8", 1/2" BSP male, 1/2" NPT
Tappings	: Single pressure tapplings or 2x4 tapplings each arranged with an external annular ring to equalise the pressure.
Tap lengths	: 150 mm, others on request
Tap location	: At least 45 degrees apart, for sizes below DN 150. To be stated with order.



0-06-014-3e



Technical Data

- Accuracy : ca. 1,4 – 1,5 % (according to ISO 5167)
- Pressure loss : ca. 15 % of the differential pressure measured
- Limits for Re. No. : $1,5 \times 10^5 < ReD < 2 \times 10^6$ according to ISO 5157-3

Accessories

Shut-off valves and condensing chambers for steam flow measurement

Dimensions

DN	Inner Pipe Diameter	Length
(50)	45 - 57	200
65	58 - 72	200
80	73 - 90	200
100	91 - 112	200
125	113 - 137	250
150	138 - 162	250
(175)	163 - 187	300
200	188 - 225	300
250	226 - 275	350
300	276 - 325	400
350	326 - 375	450
400	376 - 425	500
450	426 - 475	550
500	476 - 550	600

All dimensions in mm

